

Toestelcontactstop

Bestelnr. 372

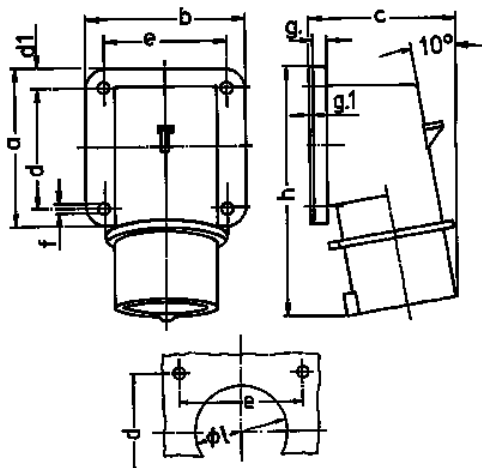


- schroefklemmen

Technische informatie

| | |
|-------------------|----------------|
| Ampère | 16 A |
| Polen | 4 p |
| Voltage | 230 V |
| Uurstand | 9 h |
| Hertz | 50-60 Hz |
| Aansluittechniek | schroefklemmen |
| Contacten | standaard |
| Beschermingsgraad | IP 44 |
| Gewicht | 170 g |
| Certificeringen | VDE, EAC |

Tekeningen



| Tekening | Amp. | 16 | | 32 | | |
|-------------------------|------|-------|------|-----|-----|-----|
| | | Polen | | 3 | 4 | 5 |
| 2 MB 73 | | | | | | |
| Maten in mm | | | | | | |
| a | | 85 | 85 | 75 | 75 | 75 |
| b | | 85 | 85 | 90 | 90 | 90 |
| c | | 75 | 79 | 87 | 87 | 90 |
| d | | 64 | 64 | 45 | 45 | 45 |
| d1 | | 10 | 10 | 13 | 13 | 13 |
| e | | 64 | 64 | 78 | 78 | 78 |
| f | | 5,5 | 5,5 | 5,5 | 5,5 | 5,5 |
| g. | | 6 | 6 | 6 | 6 | 6 |
| g.1 | | 2 | 2 | 2 | 2 | 2 |
| h | | 129 | 129 | 137 | 137 | 138 |
| i | | 50 | 50 | 55 | 55 | 55 |
| Kabelaansluiting | | | | | | |
| van/tot mm² | | 1 | 1 | 2,5 | 2,5 | 2,5 |
| | | -2,5 | -2,5 | -6 | -6 | -6 |