

Toestelcontactstop

Bestelnr. 434

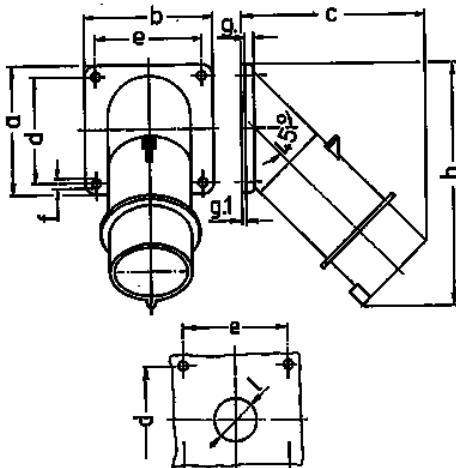


- schroefklemmen

Technische informatie

| | |
|-------------------|----------------|
| Ampère | 32 A |
| Polen | 3 p |
| Voltage | 230 V |
| Uurstand | 6 h |
| Hertz | 50-60 Hz |
| Aansluittechniek | schroefklemmen |
| Contacten | standaard |
| Beschermingsgraad | IP 44 |
| Gewicht | 228 g |
| Certificeringen | VDE, EAC |

Tekeningen



| Tekening | Amp. Polen | 16 | | 32 | |
|-------------------------------|---------------|------|-----|-----|-----|
| | | 5 | 3 | 4 | 5 |
| 2 MB 39 | | | | | |
| Maten in mm | a | 85 | 85 | 85 | 85 |
| | b | 85 | 85 | 85 | 85 |
| | c | 122 | 126 | 126 | 129 |
| | d | 70 | 70 | 70 | 70 |
| | e | 70 | 70 | 70 | 70 |
| | f | 6,2 | 6,2 | 6,2 | 6,2 |
| | g | 6 | 6 | 6 | 6 |
| | g.1 | 2 | 2 | 2 | 2 |
| | h | 161 | 163 | 163 | 170 |
| | i | 30 | 30 | 30 | 30 |
| Kabelaansluiting | | 1 | 2,5 | 2,5 | 2,5 |
| van/tot mm² | | —2,5 | —6 | —6 | —6 |