

Contactstop
Bestelnr. 642A

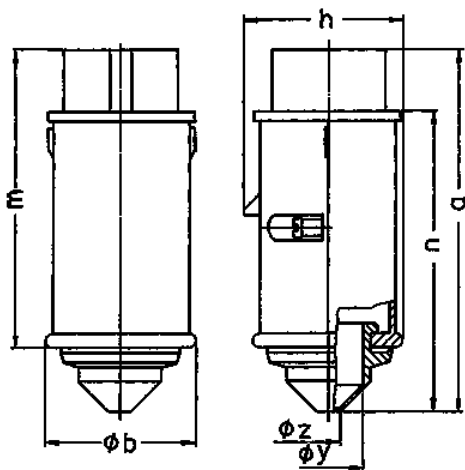


- schroefklemmen met tule

Technische informatie

| | |
|-------------------|----------------|
| Ampère | 32 A |
| Polen | 2 p |
| Voltage | 20-25 V |
| Hertz | 50-60 Hz |
| Aansluittechniek | schroefklemmen |
| Contacten | standaard |
| Beschermingsgraad | IP 44 |
| Gewicht | 141 g |
| Certificeringen | EAC |

Tekeningen



| Tekening | Amp. Polen | 16 | | 32 | |
|-------------------------|---------------|-----|-----|-----|-----|
| | | 2 | 3 | 2 | 3 |
| Maten in mm | a | 130 | 130 | 130 | 130 |
| | b | 55 | 55 | 55 | 55 |
| | h | 58 | 58 | 58 | 58 |
| | m | 108 | 108 | 108 | 108 |
| | n | 107 | 107 | 107 | 107 |
| | y | 25 | 25 | 25 | 25 |
| | z | 9 | 9 | 9 | 9 |
| Kabelaansluiting | | 4 | 4 | 4 | 4 |
| van/tot mm² | | -10 | -10 | -10 | -10 |