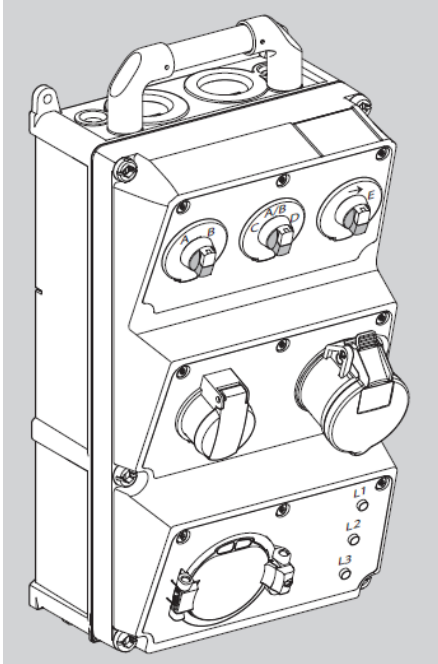
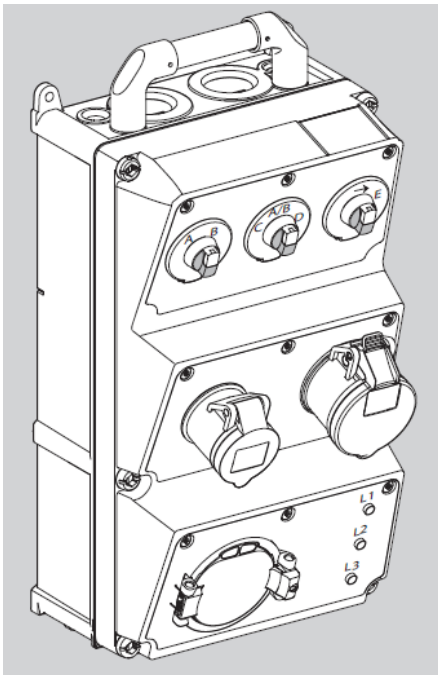


# Test Box Type F, Test Box Universal



MENNEKES test box for charging stations

- Type-2 vehicle inlet
- Simulation of a charging process
- Test of system monitoring
- RCD test by using an external test instrument

**MENNEKES**

Elektrotechnik GmbH & Co. KG  
Spezialfabrik für Steckvorrichtungen

Aloys-Mennekes-Str. 1  
D-57399 Kirchhundem

Tel. +49 (0) 27 23 / 41-1  
Fax +49 (0) 27 23 / 41-2 14  
E-Mail [info@MENNEKES.de](mailto:info@MENNEKES.de)  
Internet [www.MENNEKES.de](http://www.MENNEKES.de)

Service by  
**MENNEKES®.**  
Always well  
informed.

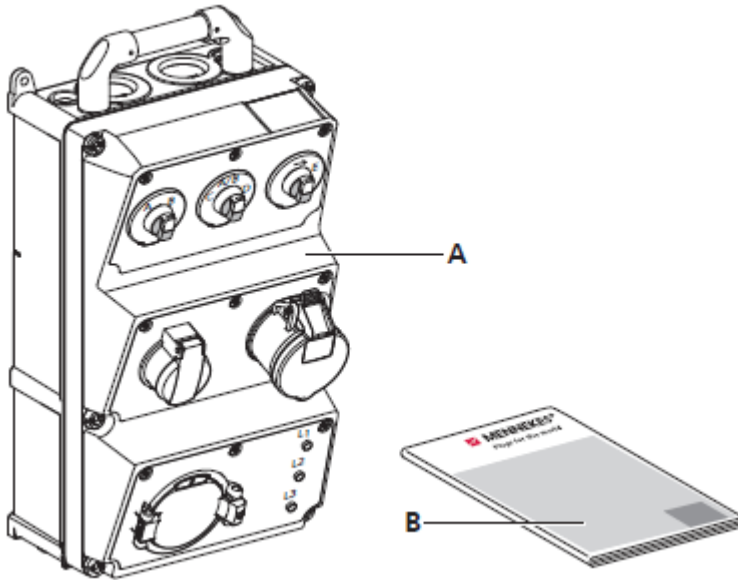
## Features

- Test box for charging stations
- Suitable for type 2 vehicle connectors
- Simulation of a charging process for an electric vehicle
- Setting options for vehicles with gasing and non-gasing batteries
- Simulation of a defective line
- Displays indicating failure of protective devices
- Check of rotating field
- Simulating of an alternating current and three phase load via connected external consumers
- Residual current device test using an external test instrument
- Meter test via connected external consumers

**Technical Data**

Type	Test Box F	Test Box Universal
Part number	320011	320012
Nominal voltage	230V AC / 400 V AC $\pm$ 10%	
Nominal frequency	50 Hz	
Nominal current	16A	
Maximum backup fuse	63A	
Protection class	IP 20	
Dimensions (H x W x D)	390 x 225 x 165 mm	
Weight	4,0 kg	

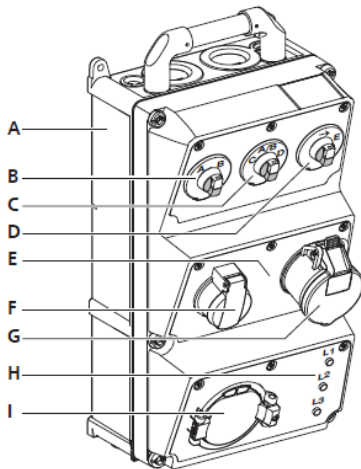
## Delivery Contents



- A Test box
- B Operation manual

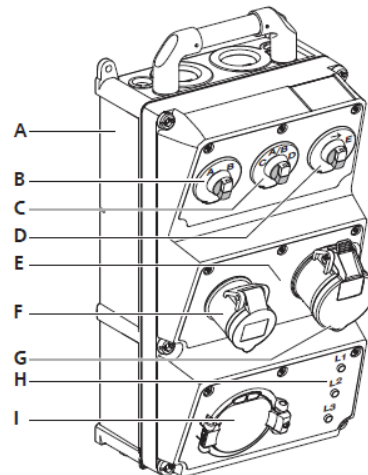
## Assembly

Test Box Typ F



- A Basic enclosure
- B Vehicle switch (status A/B)
- C Ventilation request switch (status C/D)
- D Error message switch (status E)
- E MCB fuse protection (internal)
- F SCHUKO® socket
- G CEE socket
- H Phase control lights (LED)
- G Type 2 socket (mode 3)

Test Box Universal



- A Basic enclosure
- B Vehicle switch (status A/B)
- C Ventilation request switch (status C/D)
- D Error message switch (status E)
- E MCB fuse protection (internal)
- F Single-phase CEE socket
- G CEE socket
- H Phase control lights (LED)
- G Type 2 socket (mode 3)