

eMobility-Gateway Professional+ varying locking

For networking MENNEKES charging systems and for connecting to back-end charging systems



MENNEKES
Elektrotechnik GmbH & Co. KG

Aloys-Mennekes-Straße 1
57399 Kirchhundem
GERMANY

www.MENNEKES.com

Equipment features

General

- Compatible with MENNEKES Professional charging stations
- Integrated mobile communications router
- 2 integrated mobile communications antennas for optimum reception
- Local WiFi for access to the charging points using a smartphone
- Integrated WiFi antenna
- Gateway as a time server if installed without an internet connection
- Robust, lockable enclosure made of AMELAN®

Networking options

- Via LAN / Ethernet (RJ45)

Options for connecting to a backend system

- Via the integrated mobile communications modem (2G (GSM) / 3G (UMTS) / 4G (LTE))
 - SIM card required
- Connection of up to 50 charging points to a backend system via a SIM card

Technical data

eMobility-Gateway Professional+ varying locking	310531
Version	varying locking
Rated current I_{nA} [A]	0.17 - 0.3
Rated voltage U_N [V] AC $\pm 10\%$	100 - 240
Rated frequency f_N [Hz]	50 - 60
Max. back-up fuse [A]	16
EMC classification	A+B
Protection class	I
IP rating	IP54
Overvoltage category	III
Mechanical impact protection	IK08
Contamination rating	3
Installation	Outdoor or indoor
Stationary / Mobile	Stationary
Use (according to IEC 61439-7)	AEVCS
External design	Wall mounted
Dimensions H x W x D [mm]	263 x 250 x 102
Weight [g]	1500
Standard	EN IEC 62368

The specific standards according to which the product was tested can be found in the declaration of conformity for the product.

Technical data

Permissible ambient condition

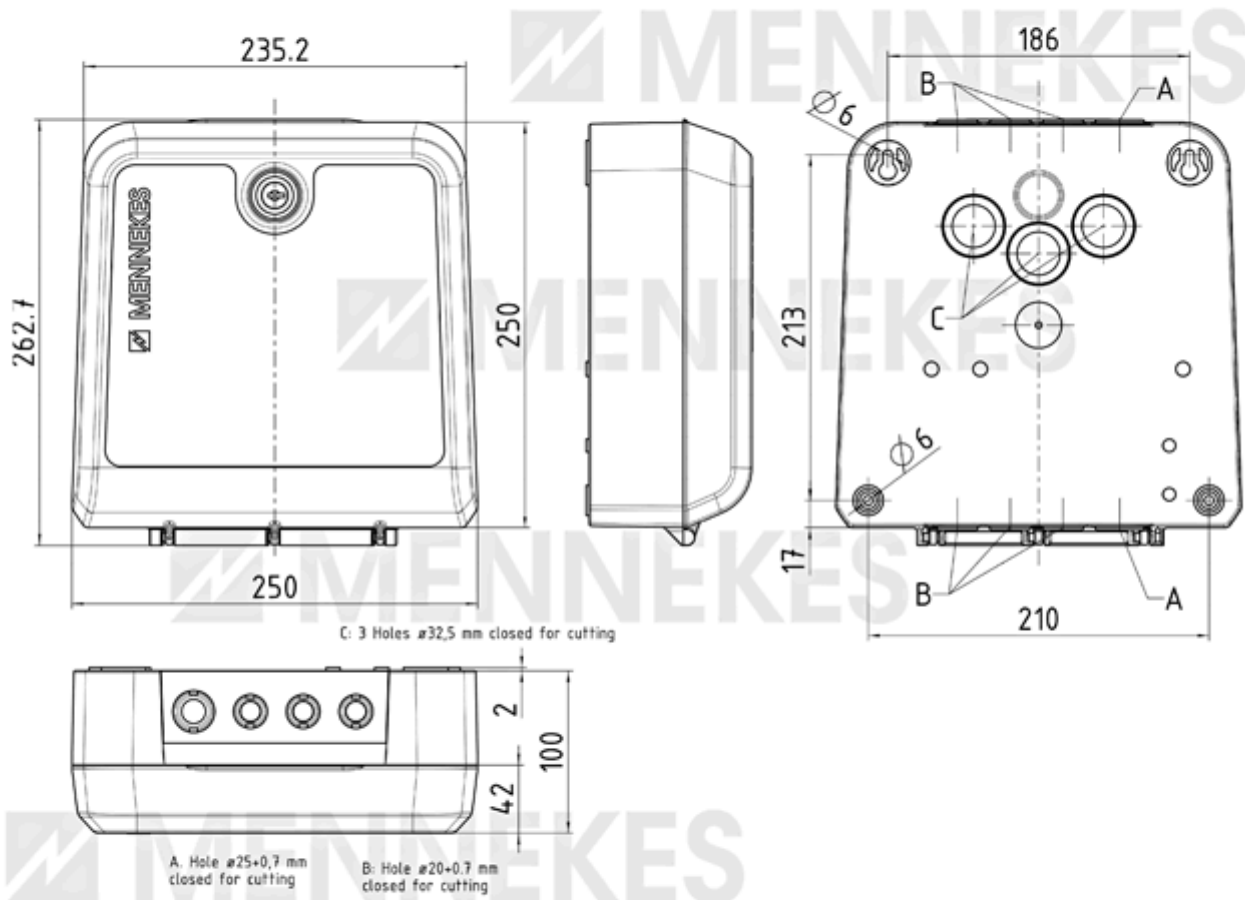
	Min.	Max.
Ambient temperature[°C]	-25	40
Average temperature over 24 hours [°C]		35
Altitude [m above sea level]		2000
Relative humidity (non-condensing) [%]		95

Electric supply line terminals

Connection technology	Screw connection / spring terminal	
Number of terminals	3	
Conductor material	Cooper	
	Min.	Max.
Clamping range rigid [mm ²]	0.2	2.5
Clamping range flexible [mm ²]	0.2	2.5
Clamping range with ferrule [mm ²]	0.2	2.5
Tightening torque [Nm]	-	-

Wireless network	Frequency band [MHz]	Max. transmission capacity[dBm]
GSM900	-	33
	-	30
UMTS	-	25
LTE	-	23
WLAN 2.4 GHz	2412 - 2474	18.82 (EIRP)

Dimensional drawing



1 MB 646